

# LIVINOX<sup>®</sup>

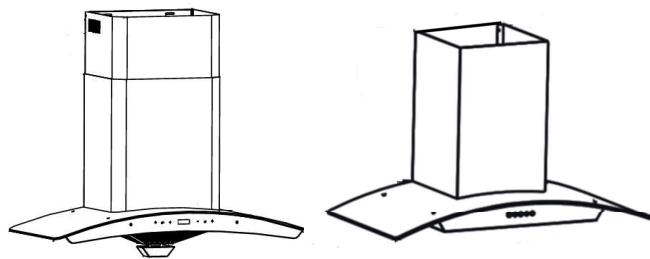
## OPERATION & INSTALLATION INSTRUCTIONS

For the User

- Your safety
- Description
- Dimensions Chart
- Instructions for use
- Installation

For the Installer

- Safety information
- Troubleshooting



MODEL: LCH-CORALPLUS-90BL  
LCH-JASPERPLUS-90SS

RANGE HOOD

## From the Manufacturer

Please read this user manual carefully before attempting to operate the appliance and store it in a safe place for future reference.

This appliance and its packaging are produced by processes that minimize waste and respect the environment.

Please help us to continue this effort to protect the environment by using the appliance efficiently and dispose of the packaging in a responsible manner.

## FOR THE USER

### 1. Your safety

#### Warning



PLEASE READ THIS SECTION THOROUGHLY BEFORE ATTEMPTING TO OPERATE THE APPLIANCE

1. There shall be adequate ventilation of the room when the range hoods is used at the same time as appliances burning gas or other fuels (not applicable to appliances that only discharge the air back into the room).
2. There is a fire risk if cleaning is not carried out in accordance with the instructions.
3. Do not flambé under the range hood.
4. The air must not be discharged into a flue that is used for exhausting fumes from appliances burning gas or other fuels (not applicable to appliances that only discharge the air back into the room) .
5. This appliance can be used by children aged from 8 years and above and persons with reduced physical, sensory or mental capabilities or lack of experience and knowledge if they have been given supervision or instruction concerning use of the appliance in a safe way and understand the hazards involved. Children shall not play with the appliance. Cleaning and user maintenance shall not be made by children unless they are older than 8 and supervised. Keep the appliance and its cord out of reach of children less than 8 years.
6. Air exhausted must be accordant with local laws.

#### Installation

This appliance must be installed or repaired by a qualified technician only.

It is dangerous to modify any part of this appliance.

The manufacturer declines all responsibility in case of failure to adopt proper safety measures.

Ensure the location in which this appliance is installed has good, permanent ventilation.

In ducted mode, there must be one or more permanent air inlet. The air collected must not be discharged into a duct used to blow off smoke from other appliances fed with electricity.

The distance between the bench to the lower part of the hood must not be less than 60cm.

Use an electrical connector with earth that is correct for your location.

Check that the voltage in your area correspond to the appliance as indicated on the rating label.

Do not connect the hood to a duct that carries combustion fumes (e.g. fireplace).

## **During use**

This product is designed for household use only and should never be used for commercial applications.

After use, always ensure that all controls are in the "OFF" position.

When frying with a gas flame, take particular care not to allow the oil or grease in the pan to catch fire.

## **Cleaning, Maintenance & Service**

Clean the grease filters often (at least once monthly). Heavy oil deposits is a fire hazard. Hood surface should be cleaned with soft cloth and non-corrosive detergent.

**Important:** Never attempt to repair this appliance by yourself. Always refer to qualified Service Technicians.

For your safety, insist on original parts.

Always switch off the electricity and unplug the connection before conducting maintenance or cleaning.

## **Electric Cord**

Ensure the supply cord is not exposed to heat, chemicals or sharp objects.

If the supply cord is damaged, it must be replaced by the manufacturer or its service agent or a similarly qualified person in order to avoid a hazard.

## **2. Description**

### **Ducted or Re-circulating mode**

Depending on your requirement, this appliance can be configured to operate in the ducted or re-circulating modes.

**DUCTED MODE:** Fire proof ducting system of 150mm diameter vent the fumes through a suitable outlet. In the ducted mode, only the aluminum grease filters are installed.

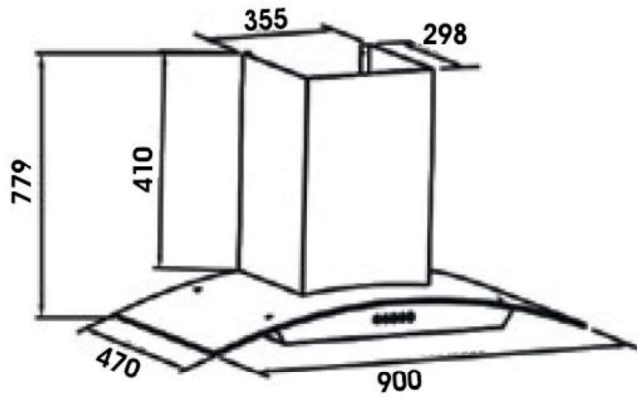
**RECIRCULATING MODE:** Fumes are filtered for grease and odour through the aluminum grease filters and the charcoal filters respectively and re-introduced into the kitchen environment. In re-circulating mode, both the aluminum grease filters and the charcoal filters should be installed.

### **Speed Control**

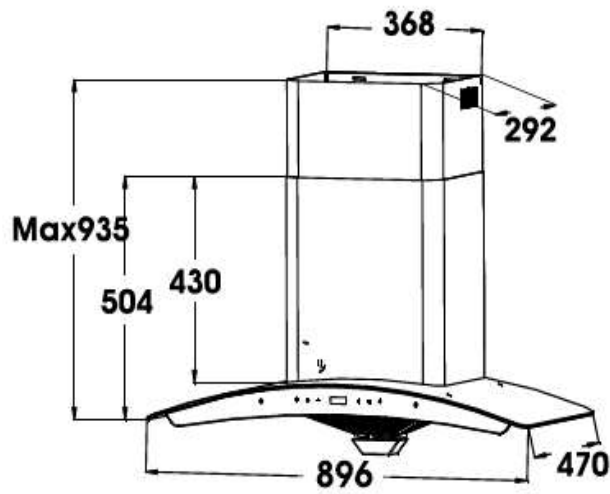
The hood is equipped with a 3 or 4 speed mechanical/electronic control.

Use the low speed for simmering, medium speed for light cooking. Use the high speed for frying or heavy cooking.

### 3. Dimensions Chart



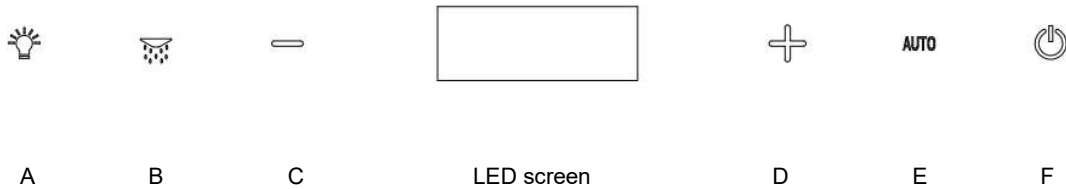
**LCH-JASPERPLUS-90SS**



**LCH-CORALPLUS-90B**

## 4. Instructions for use

### Touch control with smoke sensor or heat oil removing (CORALPLUS, JASPERPLUS)



Press A, turn on the light. Press it again, turn off the light.

Press B, operate oil removing function for 10 minutes. Press again, turn off oil removing function

In non-working state, touch B for seconds to set clock, the hour position on LED screen twinkles then you can use C and D to set hour. Touch B once, the minute position on LED screen twinkles then you can use C and D to set minute. After setting touch B again to keep setting.

Press C, When the fan is working at high speed (LED screen shows "3"), Press B once, the fan runs at mid speed (LED screen shows "2"). Press B again, the fan runs at low speed (LED screen shows "1")

Press D, When the fan is working at low speed (LED screen shows "1"), Press D once, the fan runs at mid speed (LED screen shows "2"). Press C again, the fan runs at high speed (LED Screen shows "3")

Press E, touch E once to operate automatic smoke detection function. Touch E again to quit this function.

Press F, turn on power. Press it again, turn off power.

## Cleaning & Maintenance



ALWAYS SWITCH OFF AND UNPLUG FIRST!

### SURFACES:

Wash with warm soapy water and a soft sponge. Never use abrasive detergent, scouring pads, steel wool or solvents on any part of this appliance as this will cause irreparable damage.

### ALUMINIUM GREASE FILTERS:

Wash in the dishwashers or soak the panels in a degreasing agent for an hour, then rinse off and dry before re-installing.

### CHARCOAL FILTERS:

(only in re-circulating model): Charcoal cannot be reused. They must be replaced with the appropriate types once a year or depending on the frequency of appliance usage.

For this appliance to function effectively, regular maintenance is a must.

Clogged filters restrict airflow and may cause the motor to overheat.

## 5. Installation

Use suitable bolts to mount the appliance on a secure surface.

The minimum distance between the supporting surface for the cooking vessels on the hob and the lowest part of the range hood. When the range hood is located above a gas appliance, this distance shall be at least 65 cm. If the instructions for installation for the gas hob specify a greater distance, this has to be taken into account;

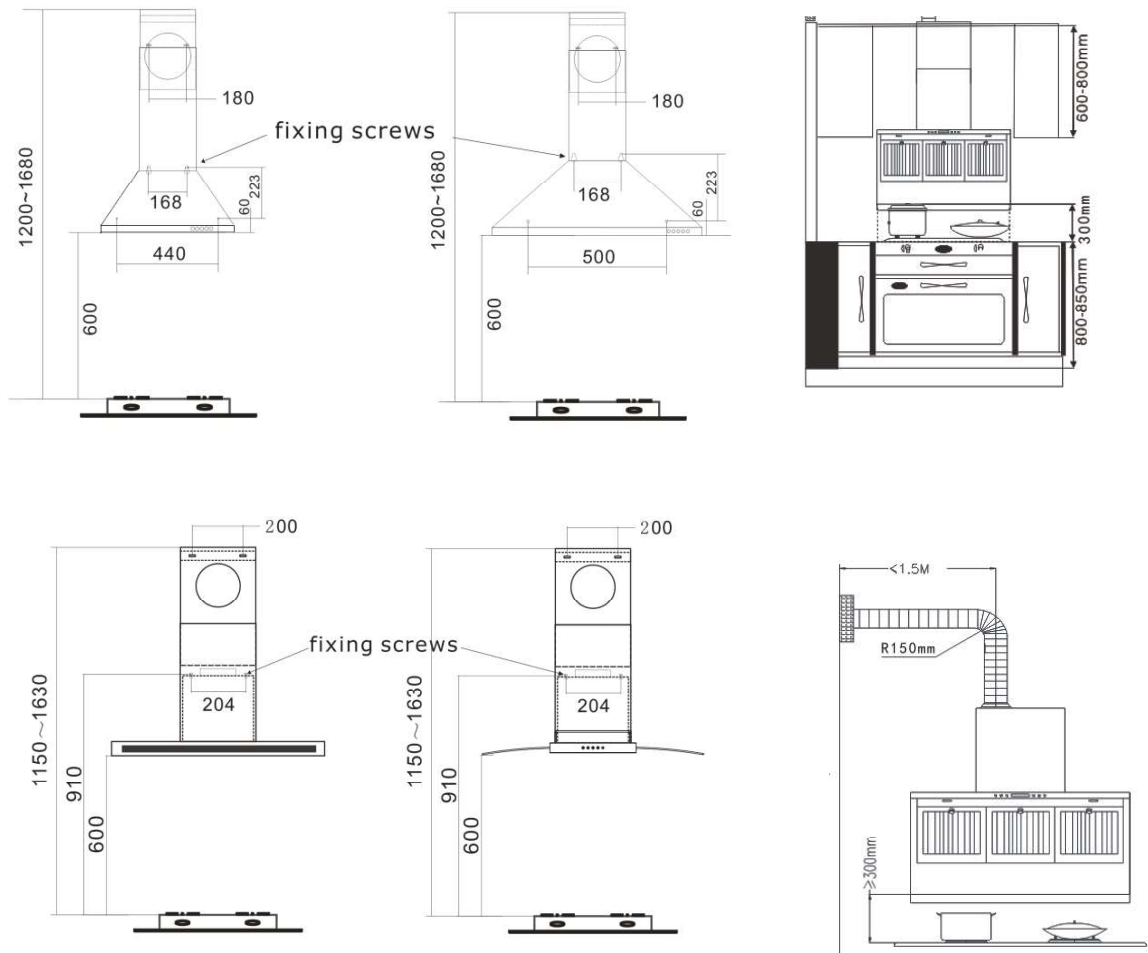
The location of the installation must have permanent openings for ventilation.

Regulations concerning the discharge of air have to be fulfilled.

It is strongly recommended that the hood be installed right over the exhaust air from cooking.

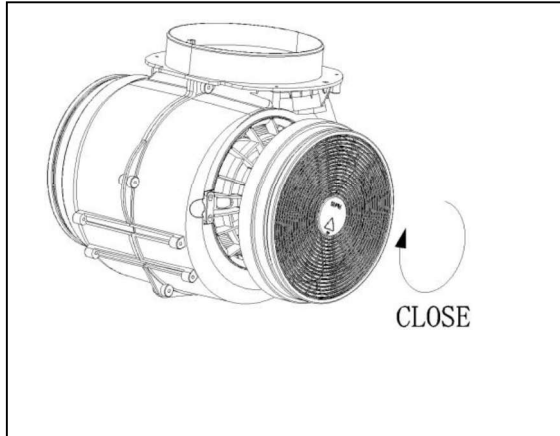
It is better not to install the outlet of the pipe in the wind direction, which can prevent the exhaust air from flowing backwards.

Fasten the components for the exhaust outlet with screws. To ensure good ejection of exhaust air, the pipe must not be bended for too many times.



## 6. Re-circulating System Installation

Plug the activated carbon filter into the unit and turn it in clockwise direction. Repeat the same on the other side.



### NOTE:

- Make sure the filter is securely locked. Otherwise, it would loosen and cause dangerous.
- When activated carbon filter attached, the suction power will be lower.
- The electrical connection must correspond to the electrical **requirement** noted on the rating plate, which is placed inside the cooker hood. The appliance should now be connected to the electrical supply.
- Check that the appliance is operating correctly by selecting each speed and switching the light bulbs on and off.
- Remove the hanging hook and then slide the lower chimney section downwards, until it rests against the main body of the cooker hood.
- Use a stainless steel cleaner and polish on the stainless steel sections of the appliance.
- If you are using the appliance in recirculation mode, then you should now fit the carbon filter. See the "fitting the carbon filter" section on page 21.

The four hob elements were used the appliance at most.

Every hood has two fixing screws to firmly fix the hood in its place.

## **FOR THE INSTALLER**

### **7. Safety Information**

Connection to the electrical supply

Electrical connection must be made only in accordance to the local standards and laws.

Ensure that the electrical supply complies with the setting on this appliance, otherwise, do not connect.

The electrical connection of this appliance must be earthed. If unsure, check with a qualified electrician. Color code:

Green & Yellow = EARTH

Blue = NEUTRAL

Brown = LIVE

Ensure that the power supply chord is free from any heat source or sharp objects.

Replacement of lamp must not exceed 20W.

LED lamp must not exceed 1.5W/7W.



## 8. Troubleshooting

Symptoms	Possible Cause	Action
No go	No electrical supply	Check that the main switch is turned on
		Check that the plug is connected
Poor airflow	Aluminum grease filters clogged	Clean the filters and replace when dry
	Charcoal grease filters clogged	Replace charcoal filters with new sets
Motor running but no airflow	Butterfly valve jammed	Contact technician
Motor cuts after a few minutes	High temperature safety device activated	The kitchen is not sufficiently ventilated
	The hood is installed too near the cooking Stove	The hood must be at least 65cm from stove
Strong cooking smell	Charcoal filters are not installed	Charcoal filters must be installed in recirculating mode
Oil dripping onto stove	Oil cup missing or not installed	Remove aluminum filter and replace oil cup
	aluminum grease filter saturated	Wash the aluminum grease filters
Whirring sound	Foreign object in contact with fan blade	Contact technician